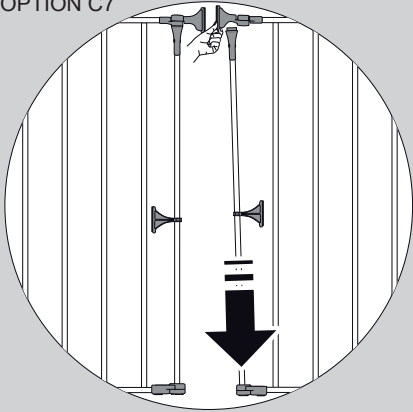
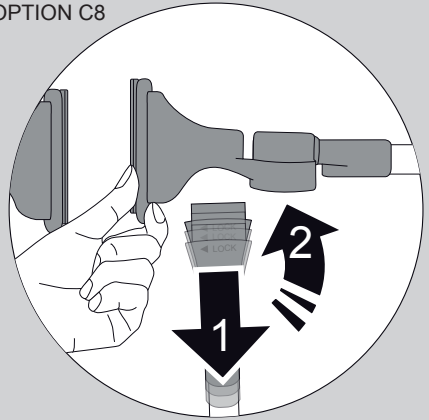


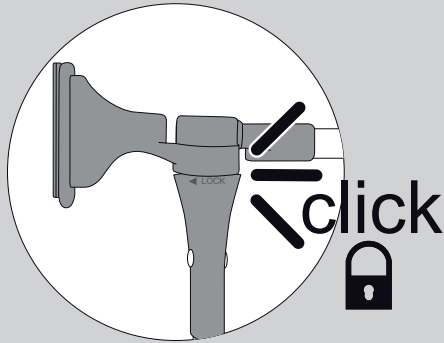
OPTION C7



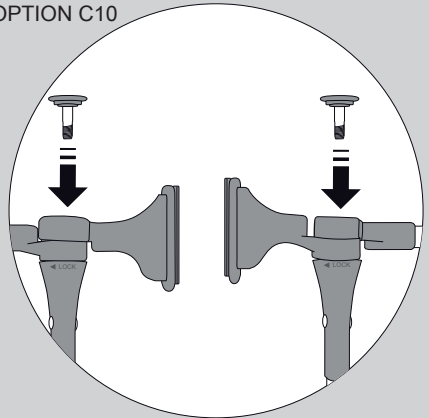
OPTION C8



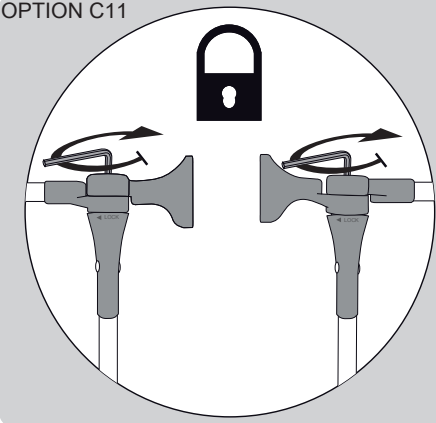
OPTION C9



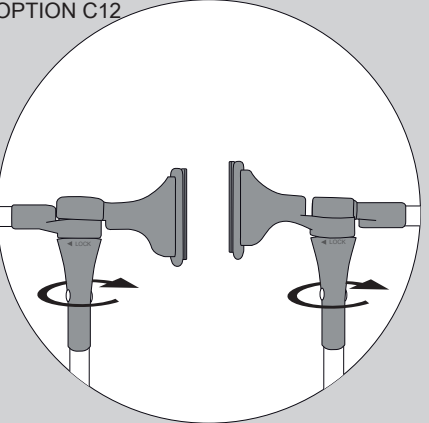
OPTION C10



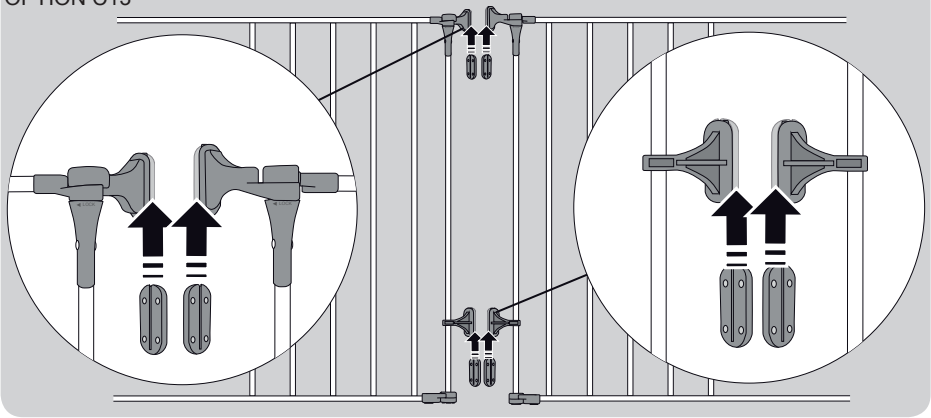
OPTION C11



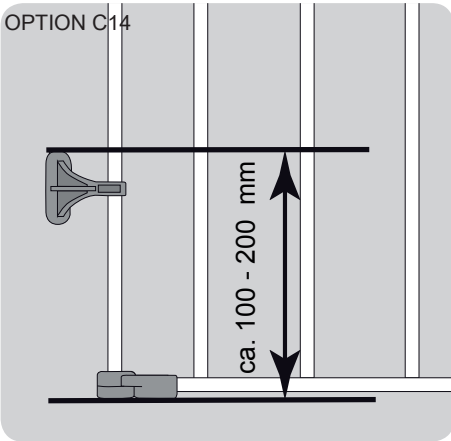
OPTION C12



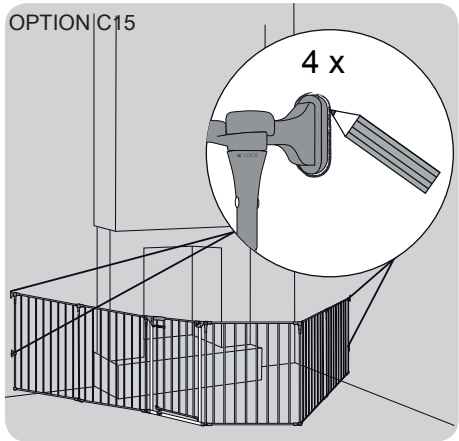
OPTION C13



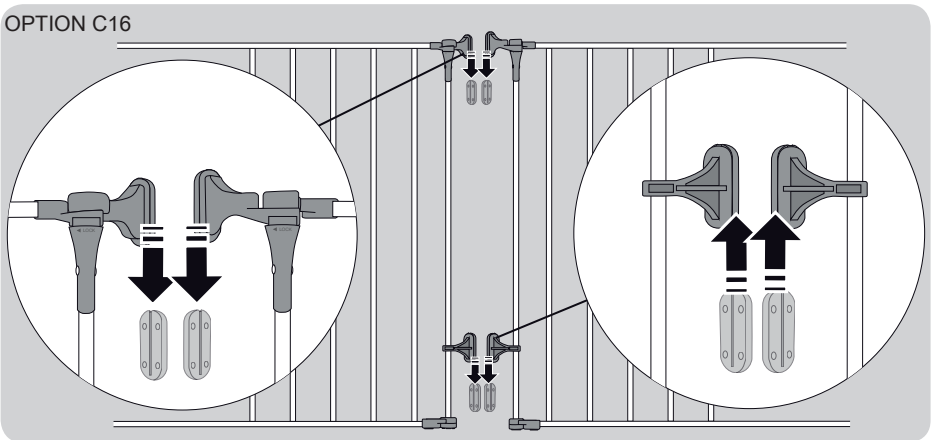
OPTION C14



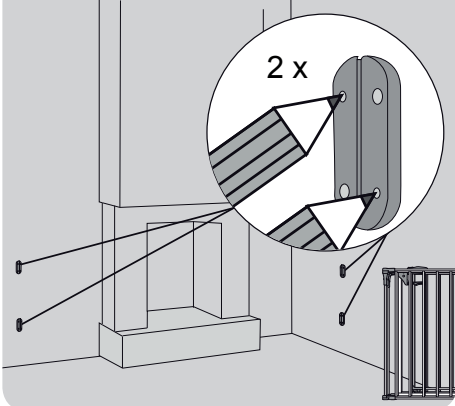
OPTION C15



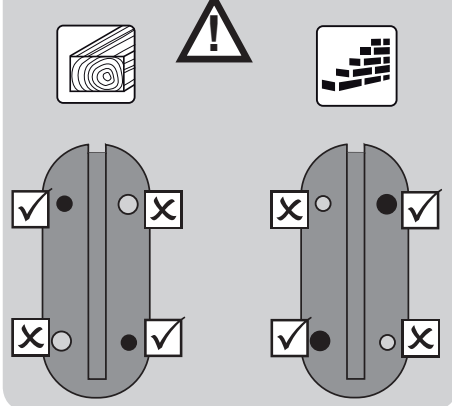
OPTION C16



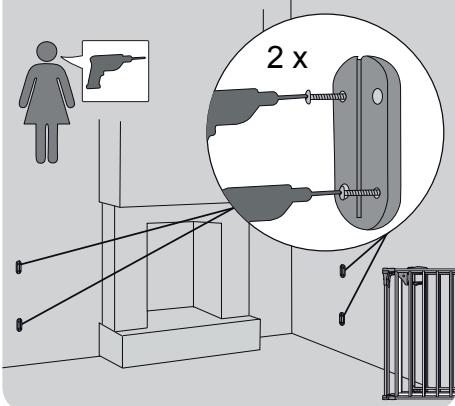
OPTION C17



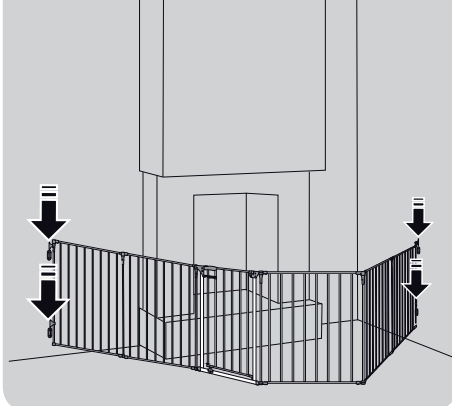
OPTION C18



OPTION C19



OPTION C20



OPTION C20

